

MODEL DESIGNATION: Simonton Double Hung Series 07-20 Vinyl Impact Window

MAXIMUM OVERALL NOMINAL SIZE: Twin up to 73" x 74"

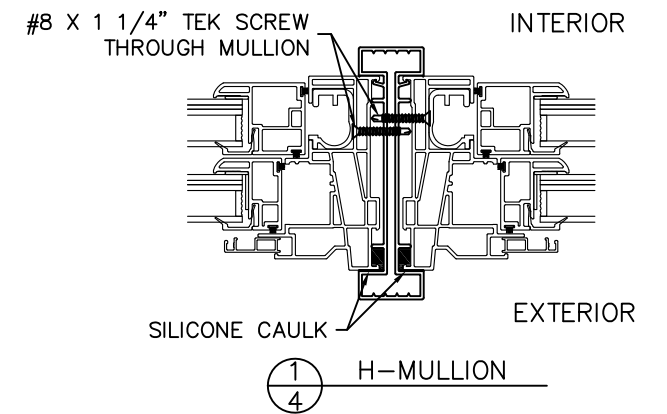
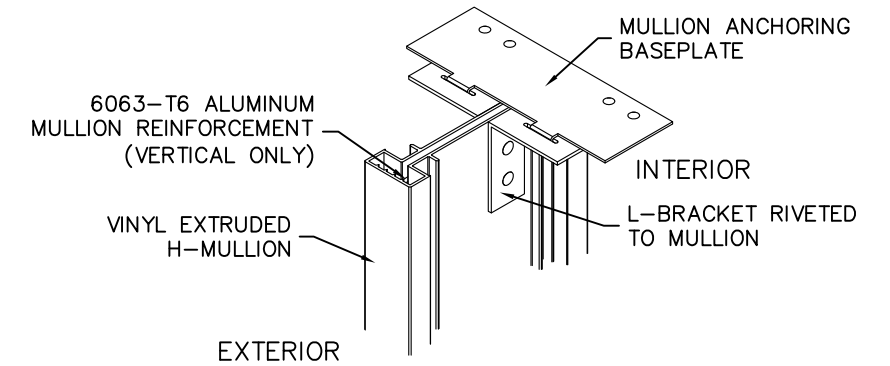
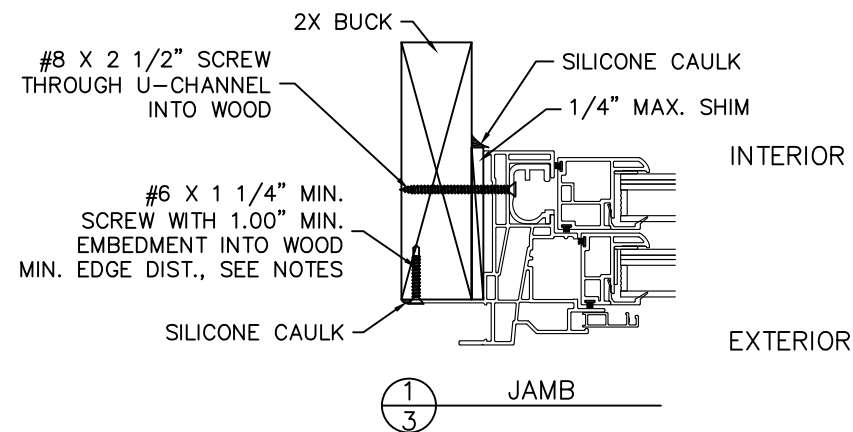
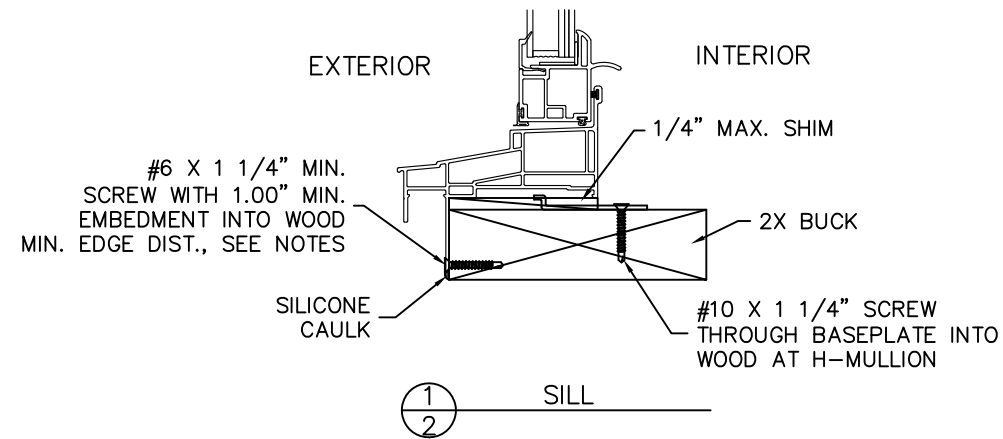
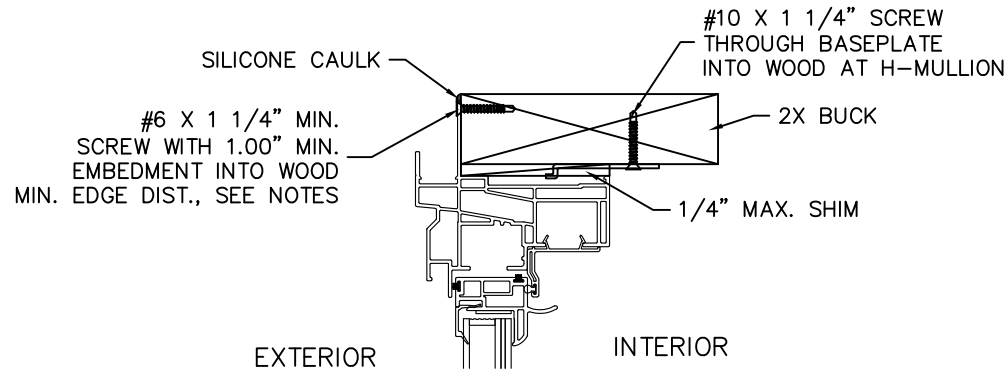
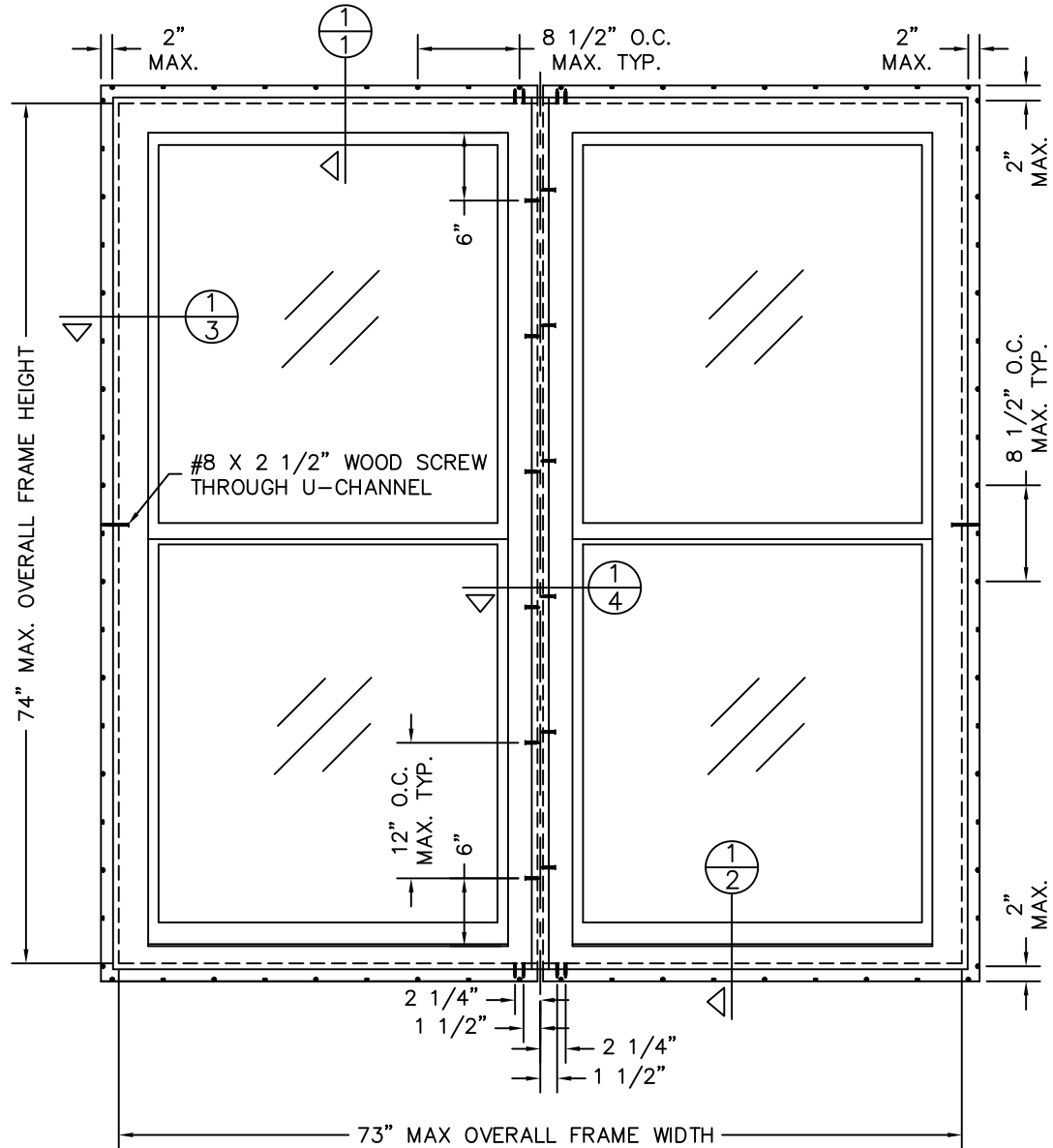
DESIGN PRESSURE RATING: Positive: 50.0 PSF
Negative: 50.0 PSF

USABLE CONFIGURATIONS: XX
XX

GENERAL DESCRIPTION: The head, sill, and side jambs are extruded PVC. The wall thickness through which the anchor screw penetrates is a minimum of 0.070".

NO P.E. SEAL REQUIRED
INSTALLATION SUPPORTED
BY AAMA TEST REPORTS

REV. #	REVISIONS:	REVISED BY:	DATE:
1	ADDED MIN. EDGE DIST. NOTE.	B.J.S.	06/17/15
2	CORRECTED MAX OVERALL NOMINAL SIZE TYPO IN TITLE.	LMH	07/18/19
.	.	.	.
.	.	.	.
.	.	.	.



DISCLOSURE STATEMENT
This document is the property of Simonton Windows, which retains all proprietary and other rights to its subject matter. This document is provided to the recipient on the expressed condition that it is not to be disclosed, reproduced in whole or part, nor used in conjunction with the design, manufacture or repair of goods for anyone other than Simonton Windows without its consent. This restriction does not limit the recipient's rights to utilize information contained in this document which is properly obtained from another source.

FILE: FL 5419

MATERIAL:	
RMS FINISH:	EXCEPT AS NOTED
ALLOY & TEMPER:	
WEIGHT:	VOLUME:
SURFACE AREA:	PERIMETER:
FINISH TREATMENT:	

Dimensional Tolerances
Unless Otherwise Specified

Decimals	Angles
.X ± .03	0° 30 min.
.XX ± .01	
.XXX ± .005	

SIMONTON
WINDOWS
1 Cochrane Avenue
Pennsboro, WV 26415

SIZE: DRAWING NO.:	REV.:
B IN0523	2
DRAWN BY:	DATE:
T.D.D.	10/12/11
CHECKED BY:	DATE:

SCALE:	SHEET:	APPR'VD BY:	DATE:
FIT	1 of 2		

SERIES: 07-20 IMPACT TWIN DH (H-MULLED)

TITLE: 2X BUCK INSTALLATION (AS TESTED)

MODEL DESIGNATION: Simonton Double Hung Series 07-20 Vinyl Impact Window

MAXIMUM OVERALL NOMINAL SIZE: Twin up to 73" x 74"

DESIGN PRESSURE RATING: Positive: 50.0 PSF
Negative: 50.0 PSF

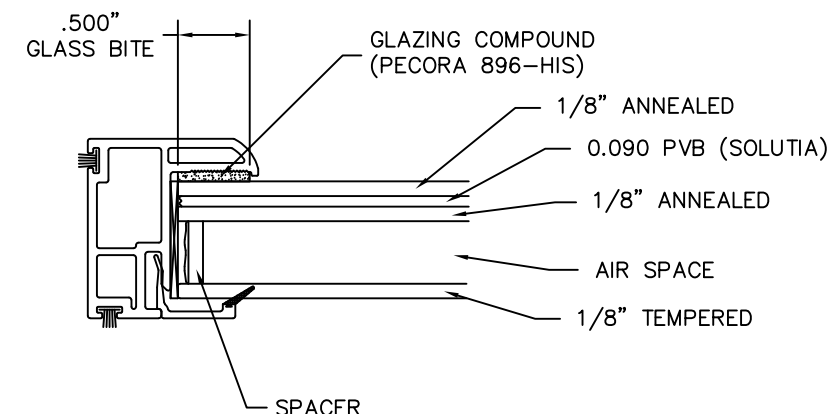
USABLE CONFIGURATIONS: XX
XX

GENERAL DESCRIPTION: The head, sill, and side jambs are extruded PVC. The wall thickness through which the anchor screw penetrates is a minimum of 0.070".

REV. #	REVISIONS:	REVISED BY:	DATE:
1	ADDED MIN. EDGE DIST. NOTE	B.J.S.	06/17/15
2	CORRECTED MAX OVERALL NOMINAL SIZE TYPO IN TITLE.	LMH	07/18/19
.	.	.	.
.	.	.	.
.	.	.	.

NOTES:

1. THIS INSTALLATION HAS BEEN EVALUATED FOR USE IN LOCATIONS ADHERING TO THE FLORIDA BUILDING CODE OUTSIDE THE HVHZ, AND WHERE PRESSURE REQUIREMENTS AS DETERMINED BY ASCE 7 MINIMUM DESIGN LOADS FOR BUILDINGS AND OTHER STRUCTURES DO NOT EXCEED THE DESIGN PRESSURE RATINGS HEREIN.
2. ALL INTERIOR AND EXTERIOR PERIMETER SURFACES OF THE WINDOW MUST BE CAULKED.
3. ANCHOR TYPE, SIZE, SPACING, EMBEDMENT, AND EDGE DISTANCE SHALL BE AS SPECIFIED IN THESE DRAWINGS.
4. ANCHOR EMBEDMENT TO SUBSTRATE SHALL BE BEYOND WALL DRESSING OR STUCCO.
5. INSTALLATION SCREWS SHOULD BE A MINIMUM OF 3/4" FROM EDGE OF WOOD.
6. WOOD BUCKS, AND BUCK FASTENERS, BY OTHERS, SHALL BE PROPERLY DESIGNED AND INSTALLED TO TRANSFER WIND LOADS TO THE STRUCTURE.
7. THE RESPONSIBILITY FOR SELECTION OF SIMONTON PRODUCTS TO MEET ANY APPLICABLE LOCAL LAWS, BUILDING CODES, ORDINANCES, OR OTHER SAFETY REQUIREMENTS RESTS SOLELY WITH THE ARCHITECT, BUILDING OWNER, OR CONTRACTOR.
8. SHIMS ARE OPTIONAL. MAX. SHIM STACK IS 1/4".
9. WHEN USED IN AREAS REQUIRING IMPACT PROTECTION, THIS PRODUCT DOES NOT REQUIRES THE USE OF APPROVED IMPACT RESISTANT SHUTTERS OR OTHER EXTERNAL PROTECTION.
10. SEALING AND FLASHING BY OTHERS SHOULD BE APPLIED USING THE ASTM E 2112 METHODOLOGY APPROPRIATE FOR THE OPENING INTO WHICH THE PRODUCT IS BEING INSTALLED. OVERALL WATER PENETRATION RESISTANCE OF THE INSTALLED PRODUCT IS NOT ADDRESSED IN THIS DRAWING AND IS THE RESPONSIBILITY OF OTHERS.
11. GLAZING SHALL COMPLY WITH ASTM E 1300.
12. ALL FASTENERS PENETRATING INTO PRESSURE TREATED WOOD SHALL BE CAPABLE OF PREVENTING CORROSION DUE TO REACTION WITH PRESSURE TREATMENT CHEMICALS. ANY DISSIMILAR MATERIALS THAT COME INTO CONTACT SHALL BE PROTECTED TO PREVENT REACTIONS IN ACCORDANCE WITH CODE REQUIREMENTS.
13. IF 2" X 4" BUCKS ARE USED, ANCHOR SCREWS MAY BE INSERTED THROUGH THE INTERIOR TRACK. ANCHOR SCREWS USED IN EXTERIOR BALANCE TRACK SHOULD BE FLUSH WITH THE VINYL.
14. QUANTITY OF ANCHORS ATTACHING THE JAMB TO THE MULLION WILL VARY DEPENDING ON THE HEIGHT OF THE UNIT. DISTANCE BETWEEN ANCHORS MUST NOT EXCEED 12 INCHES ON CENTER.
15. DESIGNATION "X" IS FOR OPERABLE PANEL AND "O" IS FOR FIXED PANEL
16. USE 100% PURE SILICONE CAULK COMPLIANT WITH AAMA 800 SECTION I - SEALANT SPECIFICATIONS FOR USE WITH ARCHITECTURAL FENESTRATION PRODUCTS. FOR MORE DETAILS VISIT SIMONTON.COM.
17. USE A BACKER ROD ON ALL JOINTS >3/4" DEEP AND/OR WIDER THAN 1/4". FINISHED CAULK JOINT SHOULD BE A MINIMUM OF 3/8" DEEP.



1" INSULATED TEMPERED/ANNEALED IMPACT GLASS WITH 0.090" PVB INTERLAYER

<p align="center">DISCLOSURE STATEMENT</p> <p>This document is the property of Simonton Windows, which retains all proprietary and other rights to its subject matter. This document is provided to the recipient on the expressed condition that it is not to be disclosed, reproduced in whole or part, nor used in conjunction with the design, manufacture or repair of goods for anyone other than Simonton Windows without its consent. This restriction does not limit the recipient's rights to utilize information contained in this document which is properly obtained from another source.</p>	<p>MATERIAL:</p>	<p align="center">Dimensional Tolerances Unless Otherwise Specified</p> <p>Decimals Angles</p> <p>.X ± .03 .XX ± .01 .XXX ± .005</p>	<p>SIZE: DRAWING NO.: B IN0523</p>	<p>REV.: 2</p>
	<p>RMS FINISH: EXCEPT AS NOTED</p> <p>ALLOY & TEMPER:</p> <p>WEIGHT: VOLUME:</p> <p>SURFACE AREA: PERIMETER:</p> <p>FINISH TREATMENT:</p>		<p>SCALE: SHEET: FIT 2 of 2</p> <p>SERIES: 07-20 IMPACT TWIN DH (H-MULLED)</p> <p>TITLE: NOTES & GLAZING DETAILS</p>	<p>DRAWN BY: DATE: T.D.D. 10/12/11</p> <p>CHECKED BY: DATE:</p> <p>APPR'VD BY: DATE:</p>
<p>FILE: FL 5419</p>				